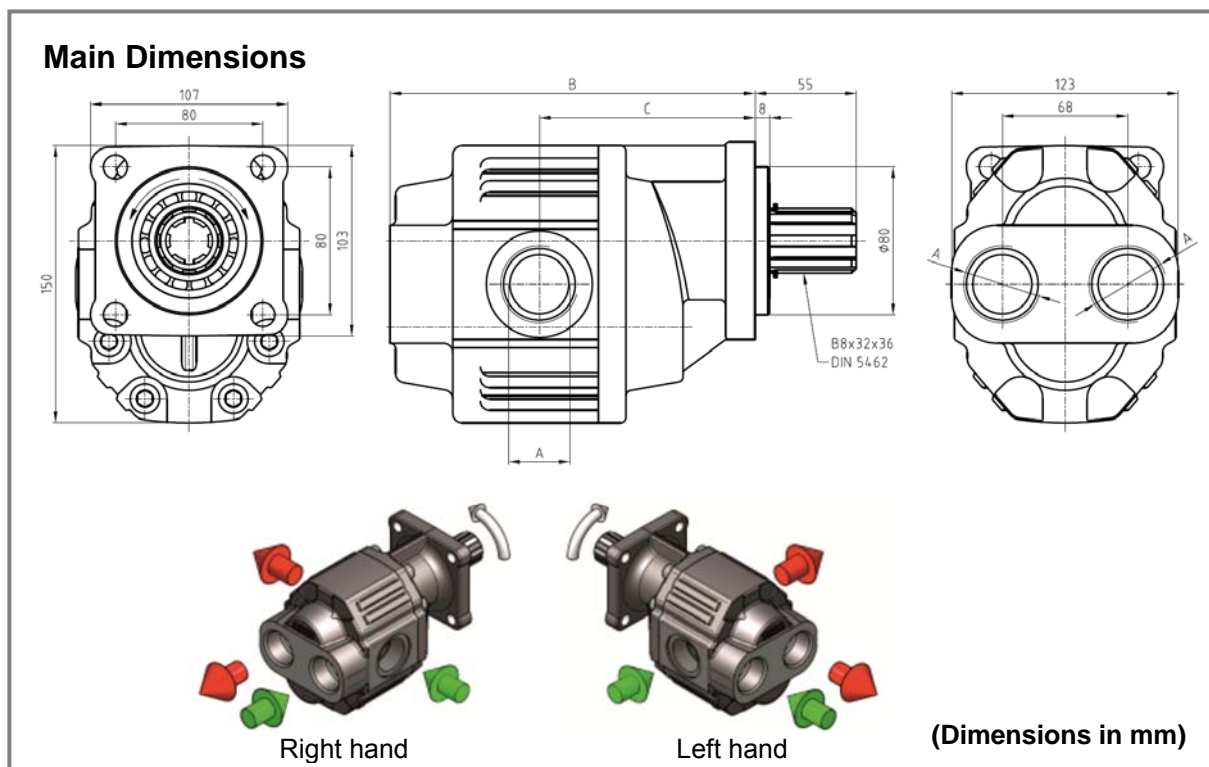




# OII-HYDRAULIC GEAR PUMP

Ref. B34GT



Main Data										
<b>Pumps B34GT</b>	<b>38</b>	<b>52</b>	<b>61</b>	<b>70</b>	<b>82</b>	<b>90</b>	<b>105</b>	<b>115</b>	<b>125</b>	<b>150</b>
<b>Cylinder capacity (cm<sup>3</sup>/rot.)</b>	38	52	61	70	82	91	102	116	125	150
<b>Rotation Máx. (rpm)</b>	2800	2500	2000	2000	1800	1800	1800	1800	1800	1600
<b>Operating pressure (bar)(up to)</b>	280	280	260	250	250	250	250	250	240	210
<b>Peak pressure (bar)</b>	310	310	300	290	290	290	290	290	280	250
<b>Weight (kg)</b>	11.5	12.0	13.0	12.0	14.0	14.5	15.0	16.0	16.5	17.4
<b>Sense of Rotation</b>	Bi-directional									
<b>A - Inlet (BSP) / Outlet (BSP)</b>	3/4"	1"			1 1/4"				1 1/2"	
<b>B</b>	170	178	185	191	198	204	210	220	226	239
<b>C</b>	105	111	117	120	123	128	130	132	135	143

### How to order:

**Example:** Pump 38cc, operating pressure up to 280bar; peak pressure 310bar, ref.B34GT → B34GT38

**Note:** Usually, used in frontal cylinders

<b>Fluids</b>	mineral oils type ISO HM or DIN 51524-2 HLP
<b>Operating viscosity range</b>	10 to 100 cSt (mm <sup>2</sup> /s) at working temperature
<b>Máx operating limits viscosity</b>	750 cSt
<b>Filtration</b>	>200bar = 10µm      <200bar = 25 µm
In the application of any of these pumps; the use of these data does not exempt the reading of the instruction "Gear pumps recommendations before start-up".	



Diagram  
Flow - Speed

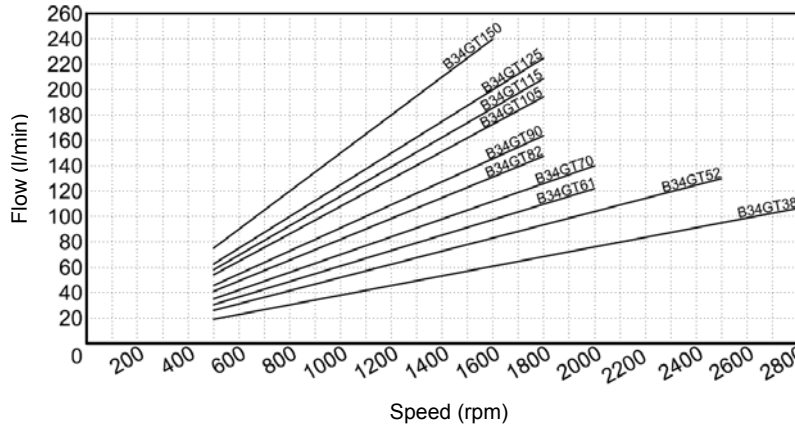
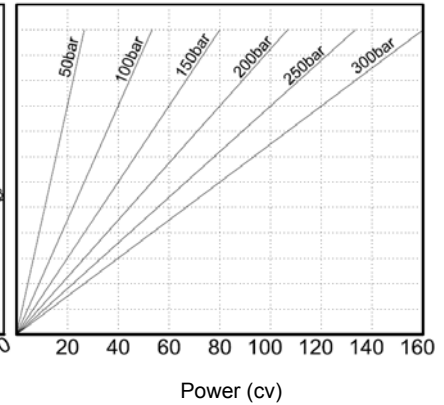


Diagram  
Input Power - Flow – Pressure



Hose dimensions

Inlet Hose	
Flow (l/min)	Internal pipe diameter (inch)
30-40	1"1/4
50-60	1"1/2
70-90	1"3/4
100-120	2"
130-150	2"1/4
160-190	2"1/2
200-230	2"3/4
240-270	3"

Outlet Hose						
Flow (l/min)	Internal pipe diameter (inch)					
	30	1/2"	1/2"	1/2"	1/2"	1/2"
40	5/8"	1/2"	1/2"	1/2"	1/2"	
50	5/8"	5/8"	5/8"	1/2"	1/2"	
60	3/4"	5/8"	5/8"	5/8"	5/8"	
70	1"	3/4"	3/4"	5/8"	5/8"	
80	1"	3/4"	3/4"	3/4"	3/4"	
90	1"	1"	1"	3/4"	3/4"	
100	1"	1"	1"	1"	3/4"	
110	1"	1"	1"	1"	1"	
120	1"	1"	1"	1"	1"	
130	1"	1"	1"	1"	1"	
140	1"1/4	1"	1"	1"	1"	
150	1"1/4	1"	1"	1"	1"	
160	1"1/4	1"1/4	1"	1"	1"	
170	1"1/4	1"1/4	1"	1"	1"	
180	1"1/4	1"1/4	1"1/4	1"	1"	
190	1"1/4	1"1/4	1"1/4	1"	1"	
200	1"1/2	1"1/4	1"1/4	1"1/4	1"	
210	1"1/2	1"1/4	1"1/4	1"1/4	1"1/4	
220	1"1/2	1"1/4	1"1/4	1"1/4	1"1/4	
230	1"1/2	1"1/2	1"1/4	1"1/4	1"1/4	
240	1"1/2	1"1/2	1"1/4	1"1/4	1"1/4	
250	1"1/2	1"1/2	1"1/2	1"1/4	1"1/4	
		50-100	100-150	150-200	200-300	300-350
P (bar)						

Important notes:

- Other axis available, please consult "Axel options".